

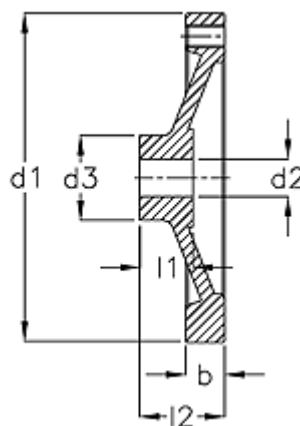
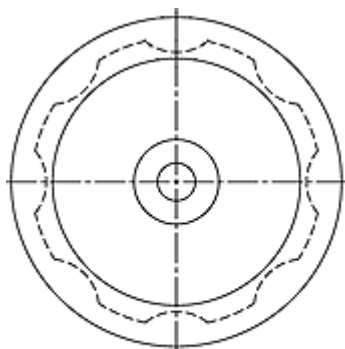
# Data Sheet



Article number: 20344332

Description: E+G Handwheel  
GN 321.5-200-K18-A-ZI

## Measures



b	= 26
d1	= 200
d2 H7	= 18
d3	= 39
l1	= 24
l2	= 50.0